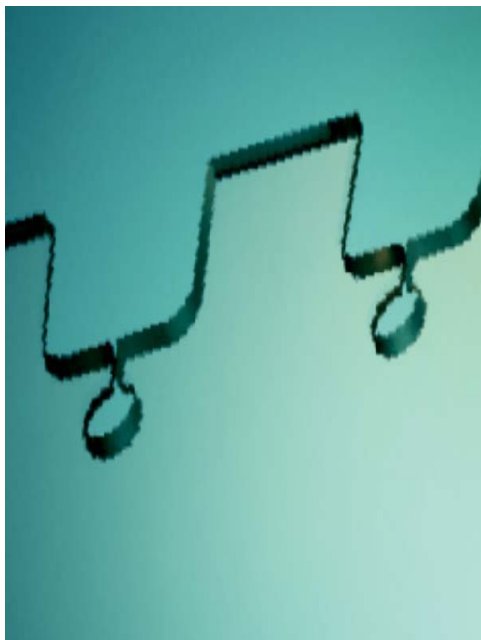


## Golden Faith Bent Tempered glass Description

Flat glass is heated until red hot, carefully formed to the desired shape, then tempered by super cooling to trap high energy within the glass. The resulting bent tempered glass has up to a fourfold strength increase compared to annealed glass of the same thickness and if broken, breaks into an innumerable number of relatively small fragments of more or less cubicle shape

This product begins as flat glass commonly selected from the broad range of commercial float products including clear, ultra clarity low-iron, grays, bronzes, greens, and blues. The surface may have a reflective, low-e, self-cleaning, or other pyrolytic coating. Specific colors and coatings are often known simply by the brand names assigned by primary glass manufacturers. We also process patterned, stained, cast, glue-chip, ground, and acid-etched glass. These flat pieces are CNC processed and then undergo the complex processes to create bent tempered glass

We offer bent tempered glass in 1/4" to 3/4" thickness. Options include shape cuts, sandblasting, silkscreen ceramic frit, holes, notches, cutouts, and edge finishes such as seamed (sanded), arris flat polished, flat ground, pencil polished, bevel polished, or angle mitred. Its indoors surface can be conditioned with a solid ceramic frit or fallout-resistant silicone to create a spandrel panel.



## Golden Faith Curved Tempered Glass

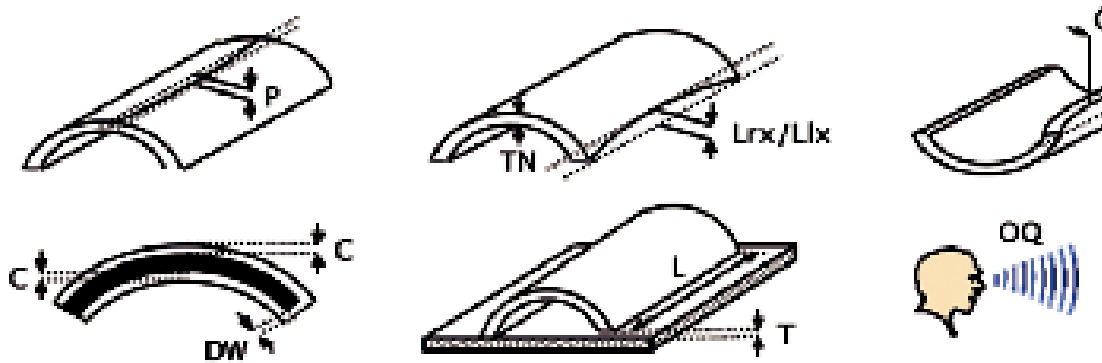
More than 20 years experience dedicated to the satisfaction of our customers.

- Perfect bending technologie
  - Top quality
  - Flexible production without shapes
  - Delivery of small series
- Production tolerances

Kunde/Client:

Modell/Model:

Höhe/Length: mm; Abwicklung/Developed width: mm; Radius/Radius: mm; Winkel/Angle: °; Dicke/



Kantenbearbeitung / Edgework:

Decke / Thickness

Biegung / Curvature

Planität / Planimetry

Linearität / Linearity

Kantengeradheit / Edge straightness

Verwindung / Torsion

TN: ± 0.1 mm

C: ± 0.1 mm

P: ± 0.1 mm

Lrx-Llx: ± 0.1 mm

Gra-Glx: ± 0.1 mm

T: ± 0.1 mm

Höhe / Length

Abwicklung / Developed width

Durchmesser Lochbohrung / Diameter hole

Abstand Lochbohrung / Distance hole

Optische Qualität / Optical quality

Rechtwinkligkeit nach / Rectangularity according to

Wärmebehandelt nach / Tempered according to :

From simple cylindrical shapes up to shapes with several radii

